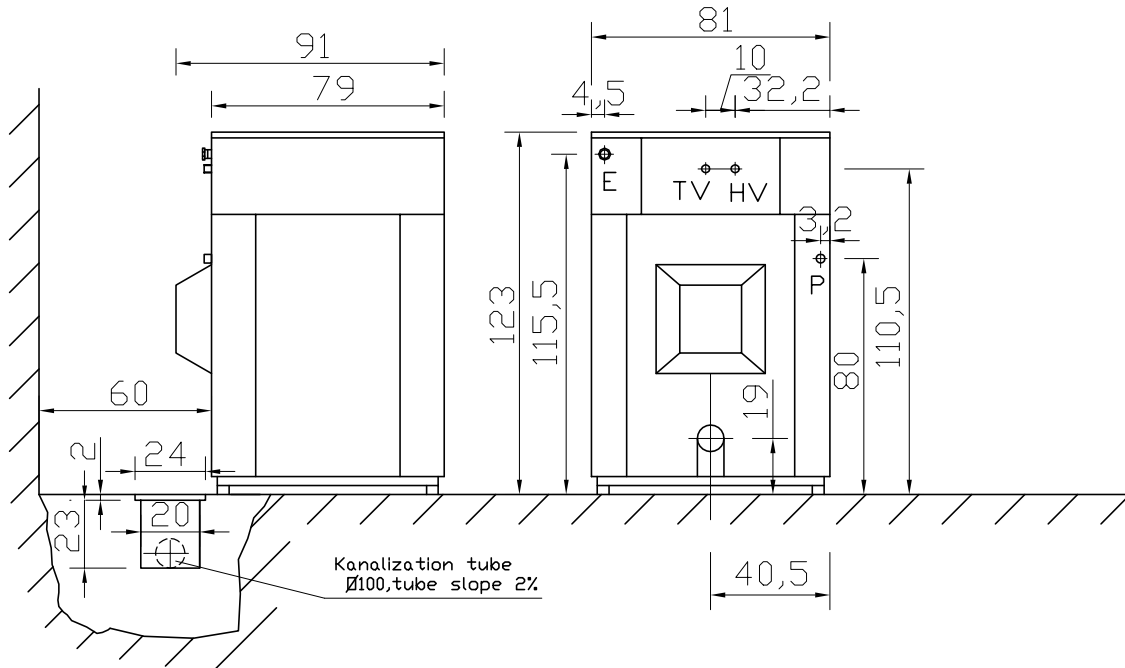


KREBE

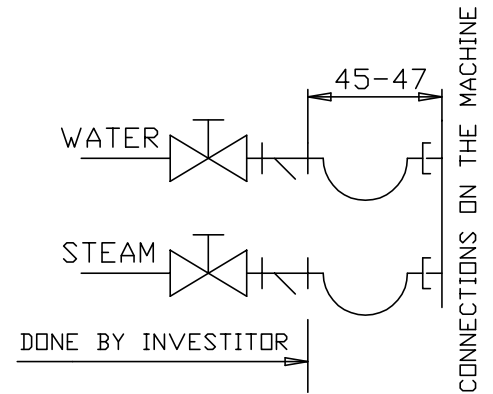
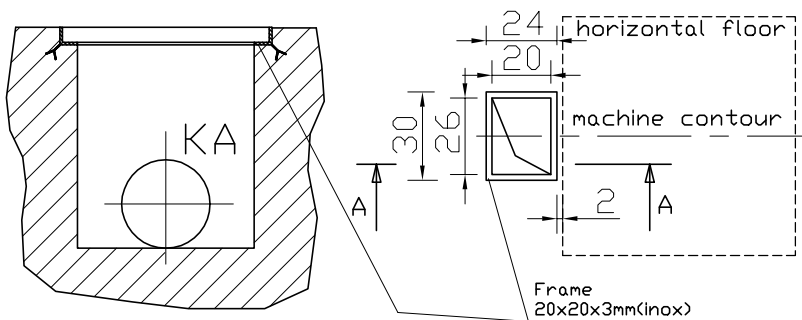
WASHING MACHINE PCF-15 Dimensions scheme

TIPPO

2006



CUT A-A



El.connections over GS switch.
Leave the length of el.cable longer than 1 m.

Dimensions in cm!

TEHN. CHARACTERISTICS	Type of the machine		PCF-15-Pv	PCF-15-Pn	PCF-15-E	PCF-15-K
	Units					
CAPACITY	kg/fill.		15			
DIMENSIONS	mm		810x910x1230			
WEIGHT	kg		395			
G-faktor			345			
REST HUMIDITY	%		~50			
CONNECTIONS:			20 (3/4)			
cold water -HV			20 (3/4)			
warm water 45C-TV	DN		20 (3/4) - option			
cold water-soft -HVM	(col)		15 (1/2)	20 (3/4)		Pv or Pn
steam (direct) -P						
CANALISATION	-KA	mm	75			
EL.CONNECTION CABLE	-E	mm ² Cu	3x2,5		5x4	
EL.CONNECTION POWER		kW	2,3		14,3	
PROTECTION		A	16		25	
TENSION			230V,1N,50Hz		400V,3NAC,50Hz	
CONNECT.HEAT.POWER:	steam	kW	30		30	
electric		kW			12	
water		l/s	1			
PRESSURE ON INLETS:	water	bar	3 - 6			
steam			6 - 10	0.3 - 0.5		Pv or Pn